

Please check the box below to proceed.

I'm not a robot



reCAPTCHA
[Privacy](#) - [Terms](#)

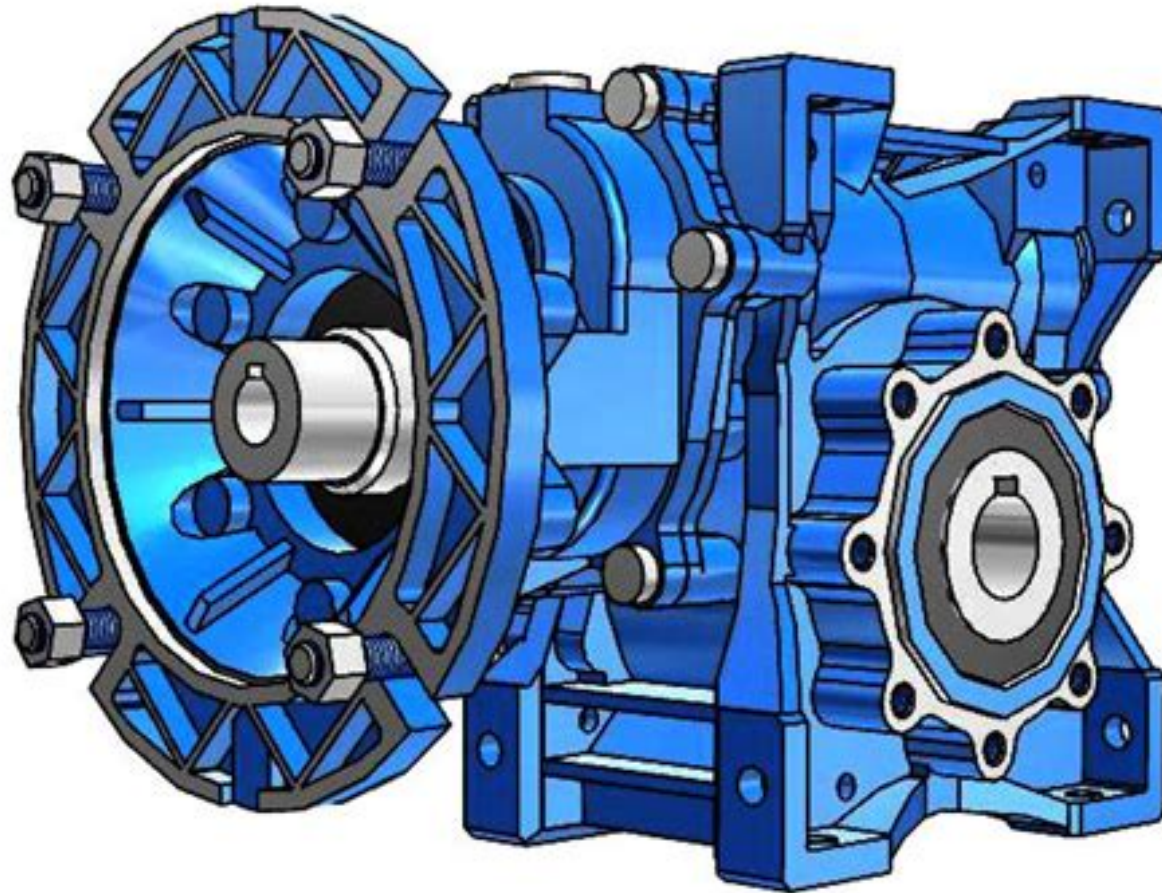


Table of Contents

Mitsubishi Montero Free Workshop And Repair Manuals	3
Mitsubishi Montero Auto Repair Manual Books Caridcom	4
Mitsubishi Montero Service Repair Manual	5
For Mitsubishi Montero Repair Manuals Amp Literature	6
Mitsubishi Montero Workshop Manuals Free	7
Mitsubishi Montero Pajero 2007	8
2001 Mitsubishi Montero Repair Shop Manual Set Original	9
Mitsubishi Workshop Repair Manual Free Download	10
Mitsubishi Owners Manuals Free	11
1993 Mitsubishi Montero Service And Repair Manual	12
Mitsubishi Workshop Manuals	13
2001 Mitsubishi Montero Factory Service Manual Set	14
Mitsubishi Workshop And Repair Manuals	15
2006 Mitsubishi Montero Service Repair Manuals Amp	16
Repair Manual Monterosportonlinenet Forum	17
1999 Mitsubishi Montero Repair Shop Manual Set Original	18
Mitsubishi Montero 1984 Service Manual	19
Mitsubishi Montero Sport 1997	20
Mitsubishi Manuals At Books4carscom	21
2006 Mitsubishi Montero Service Repair Manual	22
Mitsubishi Montero 2003 Service Repair Manual	23
2003 Mitsubishi Montero Repair Service Shop Manual Set 4	24
Mitsubishi Montero 1998 Service Repair Manual	25
Print Amp Online Mitsubishi Chilton Repair Manuals Haynes	26
2002 Mitsubishi Montero Sport Factory Service Manual Set	27

2001 Mitsubishi Montero Sport Repair Manual Online	28
Mitsubishi Montero Sport 1999 2000 2001 2002 Repair Manual	29
Mitsubishi Pick	30
.....	31

For Mitsubishi Montero Repair Manuals Amp Literature For {To download an e-book PDF or maybe a textbook PDF is very simple. Just discover the book you need and click on the "DOWNLOAD" button beside the book. If you are a fresh person, you will have to reply four straightforward questions about your occupation.

Why do we use it?

For Mitsubishi Montero Repair Manuals Amp Literature For Find Many books to go through on the internet and download free eBooks. Find out and skim cost-free books by indie authors as well as lots of traditional books.

Where does it come from?

For Mitsubishi Montero Repair Manuals Amp Literature For BookRix auf Deutsch To make certain ideal working, our Web page makes use of cookies. By utilizing the web site you comply with using cookies. Extra information

For Mitsubishi Montero Repair Manuals Amp Literature For The ocean of books are endless, but our income is proscribed. And pirated books are illegal. But all of these lawful web pages that we're going to introduce to you are able to download cost-free EPUB ebooks.

1. Mitsubishi Montero Free Workshop and Repair Manuals

Mitsubishi Montero Introduced in 1982, the **Mitsubishi Montero** is a medium to full size SUV by **Mitsubishi** Motors. It is known as **Mitsubishi** Pajero in Japan, **Mitsubishi Montero** in Spain, America (except Brazil) and India and **Mitsubishi** Shogun in the UK. Sold over 2.9 million until 20 12, this vehicle is now sold in its fourth generation iteration.

2. Mitsubishi Montero Auto Repair Manual Books CARiDcom

Guides to **repair** everything in it aswell, 10/10 very helpful when you haven't had a **manual** in the first place. Posted by Dakota (Van Horn, TX) / April 03, 2020
1991 **Mitsubishi** Mighty Max **Mitsubishi Montero** Models

3. Mitsubishi Montero Service Repair Manual

Motor Era offers service **repair manuals** for your **Mitsubishi Montero** - DOWNLOAD your **manual** now! **Mitsubishi Montero** service **repair manuals**.

Complete list of **Mitsubishi Montero** auto service **repair manuals**: 1999 - 2002 **Mitsubishi Pajero Sport Service & Repair Manual**;

4. For Mitsubishi Montero Repair Manuals amp Literature

Get the best deals on For **Mitsubishi Montero Repair Manuals & Literature** when you shop the largest online selection at eBay.com. Free shipping on many items | Browse your favorite brands | affordable prices.

5. Mitsubishi Montero Auto Repair Manual Books CARiDcom

Mitsubishi Montero Auto **Repair Manual** Books. Show items: 30; 60; 90; Sort by. S-A Design® David Vizard's How to Super Tune and Modify Holley Carburetors (SA216) 0 # mpn584490569. David Vizard's How to Super Tune and Modify Holley Carburetors by S-A Design®. ...

6. Mitsubishi Montero workshop manuals Free

Repair manuals for Mitsubishi Montero, Mitsubishi Montero Sport, as well as operating and maintenance **manuals** and electrical diagrams (wiring diagrams). The workshop **manuals** gives a step-by-step description of the procedures for operating, repairing and maintaining the **Mitsubishi Montero, Mitsubishi Montero Sport** since 1996 with left-hand and ...

7. MITSUBISHI MONTERO PAJERO 2007

mitsubishi montero pajero 2007-2012 service repair manual covers all models & all **repairs** a-z this is not generic **repair** information! it is vehicle specific. this is the exact same **manual** used by technicians at the dealerships to maintain, service, diagnose and **repair** your vehicle. complete step-by-step instructions, diagrams, illustrations, wiring schematics, and specifications to completely ...

8. 2001 Mitsubishi Montero Repair Shop Manual Set Original

2001 **Mitsubishi Montero Repair Shop Manual Set Original**

9. Mitsubishi Workshop Repair manual free download

On this page you can find and free download workshop/ **repair**/ service & owner's **manual for Mitsubishi** cars. **Mitsubishi** Motors Corporation is a Japanese car manufacturing company, part of the **Mitsubishi** group, which is the largest manufacturing group in Japan.

10. Mitsubishi Owners Manuals Free

Mitsubishi PDF Owners **Manuals** Title File Size Download Link **Mitsubishi** Airtrek User **Manual**.pdf 14.3Mb Download **Mitsubishi** ASX User **Manual**.pdf 8.1Mb Download **Mitsubishi** Canter User **Manual**.pdf 8.9Mb Download **Mitsubishi** Colt Plus User **Manual**.pdf 24.8Mb Download **Mitsubishi** Delica D2 User **Manual**.pdf 8.3Mb Download **Mitsubishi** Delica D3 2016 User **Manual**.pdf 6.1Mb Download **Mitsubishi** Delica D5 2016 ...

11. 1993 MITSUBISHI MONTERO Service and Repair Manual

1993 **MITSUBISHI MONTERO SERVICE AND REPAIR MANUAL**. Fixing problems in your vehicle is a do-it-yourself approach with the Auto **Repair Manuals** as they contain comprehensive instructions and procedures on how to fix the problems in your ride. Also customer support over the email , and help to fix your car right the first time !!!!! 20 years experience in auto **repair** and body work.

12. Mitsubishi Workshop Manuals

Workshop **Repair** and Service **Manuals** **mitsubishi** All Models Free Online. **Mitsubishi** Workshop **Manuals**. HOME ... **Montero**. V6-3.8L SOHC (2005) 4WD L4-2555cc 2.6L SOHC (1984) 4WD V6-2972cc 3.0L SOHC (1991) 4WD V6-3.5L SOHC (1998)

13. 2001 Mitsubishi Montero Factory Service Manual Set

2001 **Mitsubishi Montero** Factory Service **Manual** Set Original Shop **Repair** Rating Required Select Rating 1 star (worst) 2 stars 3 stars (average) 4 stars 5 stars (best) Name

14. Mitsubishi Workshop and Repair manuals

Mitsubishi Montero 1983-1993 **Repair Manual**. **Mitsubishi Montero** 1984-1989 Service **Manual**. **Mitsubishi Montero** 1991 Service **Manual**. **Mitsubishi Montero** 1992 User **Manual** PDF rus

15. 2006 Mitsubishi Montero Service Repair Manuals amp

Mitsubishi Pajero (a.k.a. **Montero**) Workshop Service **Repair Manual** 2006 (258MB, 4,000+ Pages, Searchable, Printable, Bookmarked, iPad-ready PDF) 2006
Mitsubishi Montero Workshop Service **Repair Manual** MITSUBISHI MONTERO SERVICE REPAIR MANUAL DOWNLOAD 2003-2006

16. repair manual Monterosportonlinenet Forum

I have the folders containing **Montero** Sport service **manuals** - seems to be 2003 but I was told they are valid for 1998-2003. I would be happy to burn onto CD for mailing if anyone still needs this material. aidan

17. 1999 Mitsubishi Montero Repair Shop Manual Set Original

This factory information shows you how to **repair** your vehicle. This is a set of 2 books. With step-by-step instructions, clear pictures, exploded view illustrations, schematics, and specifications, you will have the information you need to get your project on the road and keep it there.

18. MITSUBISHI MONTERO 1984 SERVICE MANUAL

View and Download **Mitsubishi Montero** 1984 service **manual** online. **Montero** 1984 automobile pdf **manual** download.

19. Mitsubishi Montero Sport 1997

mitsubishi montero sport 1999-2004 service **repair manual** The **manual** is as easy-to-use as it gets:no need to install any software and no requirements at all for your computer. You get it as a single PDF file with bookmarks and you can easily search the contents for keywords.

20. Mitsubishi Manuals at Books4Carscom

2004 Shop Service **Repair Manual** on CD-ROM for all **Mitsubishi** models Eclipse lancer Lancer EVO Galant **Montero Montero** Sport Endeavor and Outlander by **Mitsubishi**. (B04_MSCD100B200) \$199.95

21. 2006 Mitsubishi Montero Service Repair Manual

Buy and Download COMPLETE Service & **Repair Manual for Mitsubishi Montero**. Production model years 2006. It covers every single detail on your car. All models, and all engines are included. This **manual** very useful in the treatment and **repair**. **THIS MANUAL COVERS: *ENGINE OVERHAUL AND REBUILDING *BRAKES *SUNROOF *TIMI**

22. Mitsubishi Montero 2003 Service Repair Manual

Using **Mitsubishi Montero 2003 Service Repair Workshop Manual** covers every single detail on your machine. Provides step-by-step instructions based on the complete disassembly of the machine. This **Mitsubishi Montero 2003 repair manual** is an inexpensive way to keep you vehicle working properly.

23. 2003 Mitsubishi Montero Repair Service Shop Manual Set 4

2003 **Mitsubishi Montero Repair Service Shop Manual Set** (4 volume set, and the body **repair manual**.) [**mitsubishi**] on Amazon.com. ***FREE*** shipping on qualifying offers. 2003 **Mitsubishi Montero Repair Service Shop Manual Set** (4 volume set, and the body **repair manual**.)

24. Mitsubishi Montero 1998 Service Repair Manual

Using **Mitsubishi Montero 1998 Service Repair Workshop Manual** covers every single detail on your machine. Provides step-by-step instructions based on the complete disassembly of the machine. This **Mitsubishi Montero 1998 repair manual** is an inexpensive way to keep you vehicle working properly.

25. Print amp Online Mitsubishi Chilton Repair Manuals Haynes

Haynes **Mitsubishi repair manuals** cover your specific vehicle with easy to follow pictures and text, save thousands on maintaining your vehicle.

26. 2002 Mitsubishi Montero Sport Factory Service Manual Set

2002 **Mitsubishi Montero Sport Factory Service Manuals**. All **Montero Sport Models** Including ES, LS, XLS & Limited | 3.0L V6 & 3.5L V6 Engines | ***Does Not Cover Non Sport Models**. Complete 3 Volume Set | Published by **Mitsubishi Motors**. Covering Specifications * Maintenance * Schematics * Diagnosis &

Testing * In Vehicle **Repairs** * Component Removal * Disassembly * Reassembly * Installation * Wiring ...

27. 2001 Mitsubishi Montero Sport Repair Manual Online

This **manual** is specific to a 2001 **Mitsubishi Montero Sport**. RepairSurge is compatible with any internet-enabled computer, laptop, smartphone or tablet device. It is very easy to use and support is always free.

28. Mitsubishi Montero Sport 1999 2000 2001 2002 Repair Manual

Mitsubishi Montero Sport 1999 2000 2001 2002 repair manual it is the best service **manual** pdf and it is ready for instant download

29. Mitsubishi Pick

Mitsubishi Pick-ups and Montero, 1983-95 (Haynes Repair Manuals) [Chilton] on Amazon.com. *FREE* shipping on qualifying offers. **Mitsubishi Pick-ups and Montero, 1983-95 (Haynes Repair Manuals)**

30.

PDF Copyright ID : *kzgp67c4n9d0af3be018*

References:

[For Mitsubishi Montero Repair Manuals Amp Literature For Mitsubishi Montero Free Workshop And Repair Manuals](#)
[Mitsubishi Montero Auto Repair Manual Books CARiDcom](#)
[Mitsubishi Montero Service Repair Manual](#)
[For Mitsubishi Montero Repair Manuals Amp Literature Mitsubishi Montero Auto Repair Manual Books CARiDcom](#)
[Mitsubishi Montero Workshop Manuals Free](#)
[MITSUBISHI MONTERO PAJERO 2007](#)
[2001 Mitsubishi Montero Repair Shop Manual Set Original](#)
[Mitsubishi Workshop Repair Manual Free Download](#)
[Mitsubishi Owners Manuals Free](#)
[1993 MITSUBISHI MONTERO Service And Repair Manual](#)
[Mitsubishi Workshop Manuals](#)
[2001 Mitsubishi Montero Factory Service Manual Set](#)
[Mitsubishi Workshop And Repair Manuals](#)
[2006 Mitsubishi Montero Service Repair Manuals Amp Repair Manual Monterosportonlinenet Forum](#)
[1999 Mitsubishi Montero Repair Shop Manual Set Original](#)
[MITSUBISHI MONTERO 1984 SERVICE MANUAL](#)
[Mitsubishi Montero Sport 1997](#)
[Mitsubishi Manuals At Books4Carscom](#)
[2006 Mitsubishi Montero Service Repair Manual](#)
[Mitsubishi Montero 2003 Service Repair Manual](#)
[2003 Mitsubishi Montero Repair Service Shop Manual Set 4](#)
[Mitsubishi Montero 1998 Service Repair Manual](#)
[Print Amp Online Mitsubishi Chilton Repair Manuals Haynes](#)
[2002 Mitsubishi Montero Sport Factory Service Manual Set](#)
[2001 Mitsubishi Montero Sport Repair Manual Online](#)
[Mitsubishi Montero Sport 1999 2000 2001 2002 Repair Manual](#)
[Mitsubishi Pick](#)